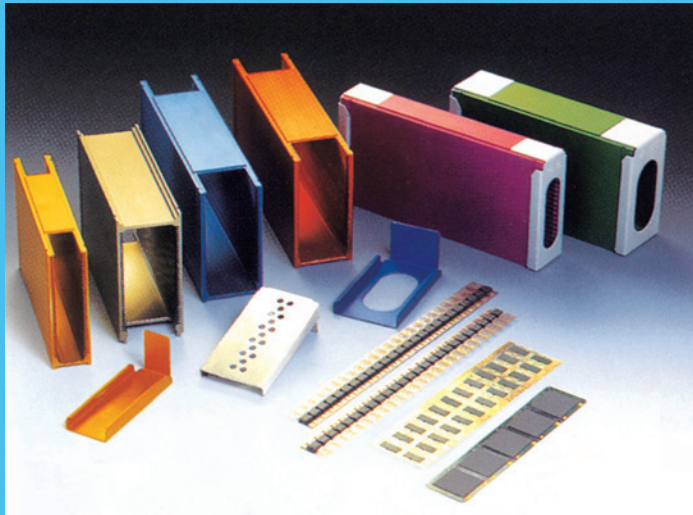


Wafer Frames & Carriers • Lead Frame
Magazines • IC Tubes & Trays

Lead Frame Magazines

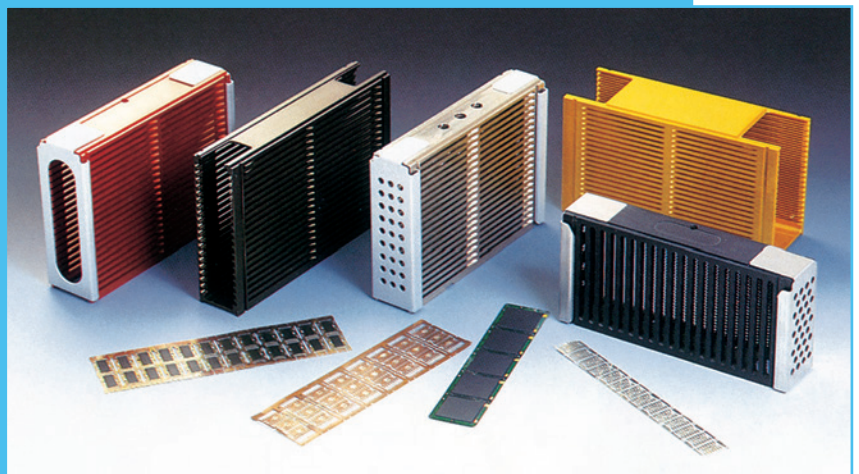
Standard Magazines



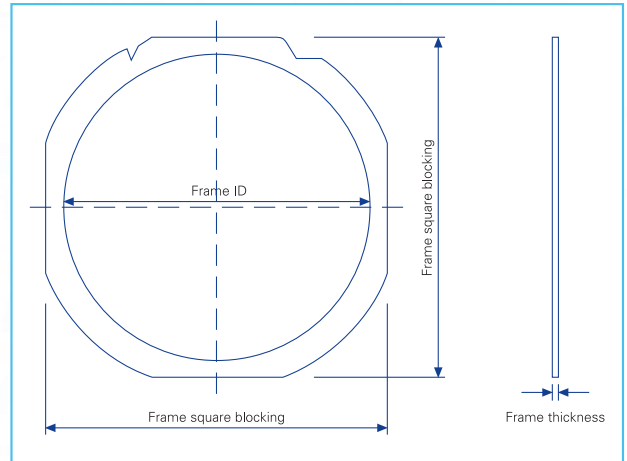
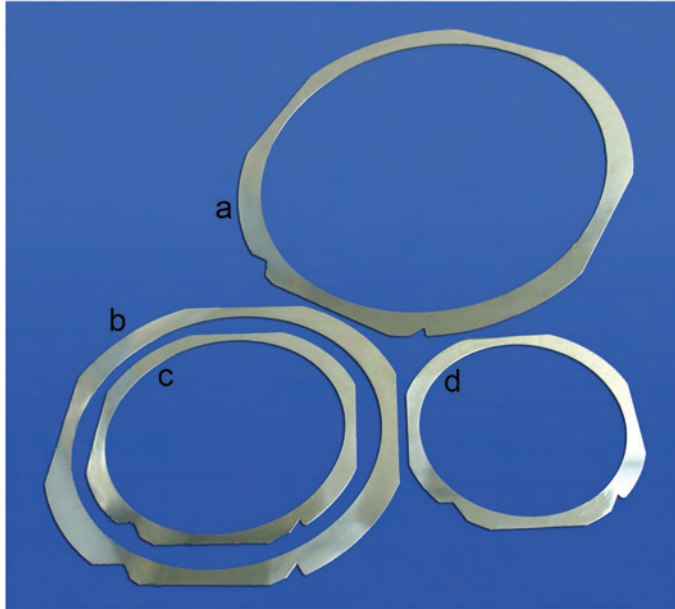
Over the years we have accumulated hundreds of open toolings in our standard magazine inventory for our customers to take advantage of. Lead frame magazines can be custom-designed to suit special requirements and are offered in a variety of colors.

Perforated Magazines

Perforated or Slotted magazines are designed mainly for Plasma and other cleaning purposes. Perforated magazines can come in different lengths to suit requirements and they are offered in a variety of colors. They can also be customized as per customer requirements.



Wafer Frames



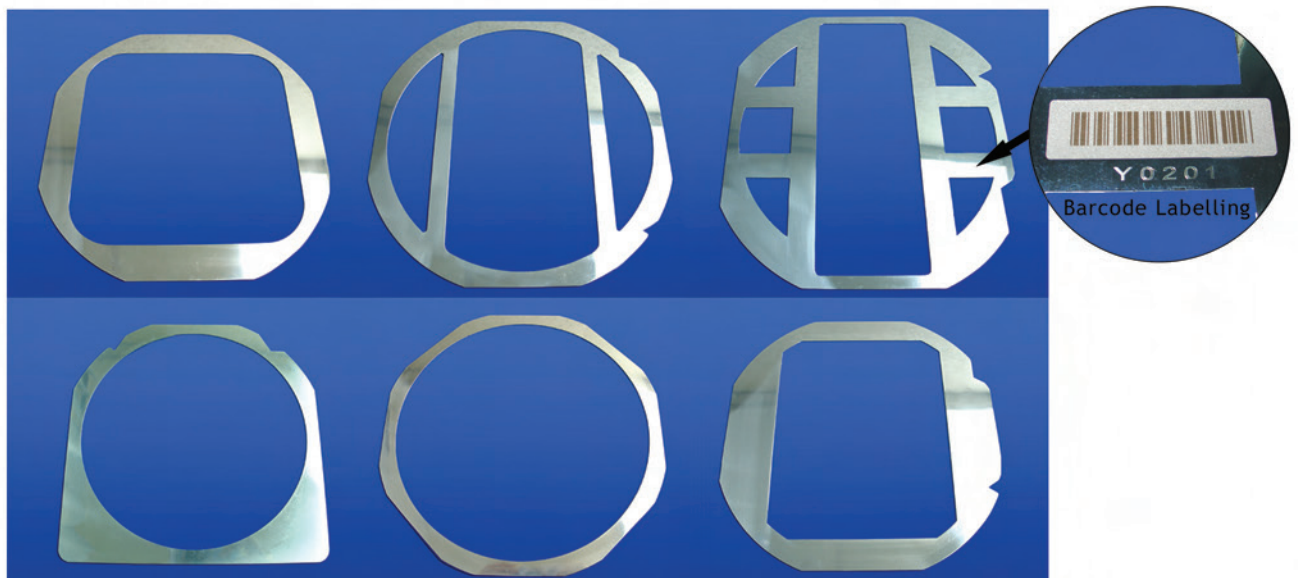
a - 12" Wafer Frame
 b - 8" Wafer Frame
 c - 6" Wafer Frame
 d - 5" Wafer Frame

Our Wafer Frames are manufactured using the latest state-of-the-art technology. Strict in-process control is maintained throughout the manufacturing stages and there is minimal handling, further ensuring consistency in the quality of our wafer frames.

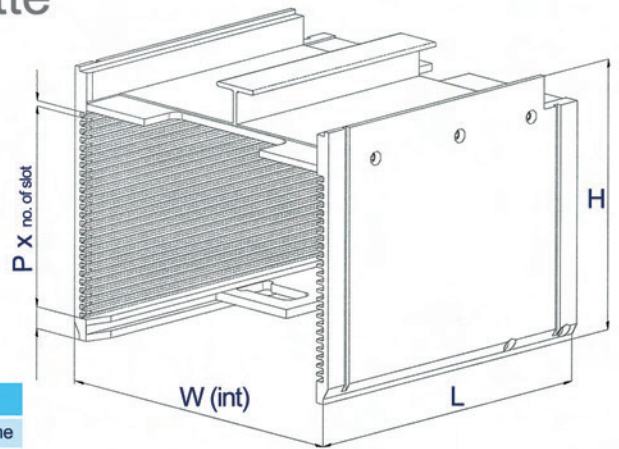
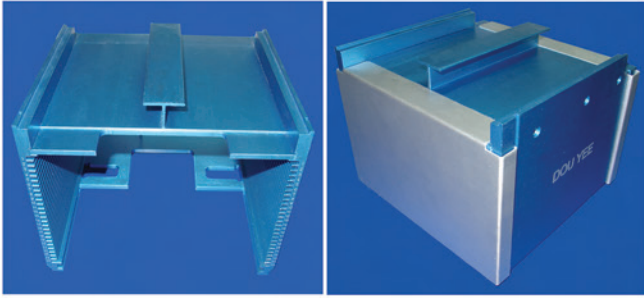
| Industrial Standards | Dou Yee Part Number | Wafer Size (in) | Frame Square Blocking (mm) | Frame ID (mm) | Frame Thickness (mm) |
|----------------------|---------------------|-----------------|----------------------------|---------------|----------------------|
| DISCO | | | | | |
| 2-12-1 | DY-WFR-041 | 12" | 380 | 350 | 1.5 |
| 2-8-1 | DY-WFR-001 | 8" | 275.2 | 250 | 1.2 |
| 2-8-1 | DY-WFR-001A | 8" | 276 | 250 | 1.2 |
| 2-6-1 | DY-WFR-003 | 6" | 212 | 194 | 1.2 |
| K&S | | | | | |
| 350-104 | DY-WFR-007B | 8" | 266.7 | 242.4 | 1.5 |
| 350-103 | DY-WFR-008 | 6" | 216 | 192.6 | 1.2 |
| 350-102 | DY-WFR-010 | 5" | 184.15 | 165.1 | 1.2 |
| TSK | DY-WFR-016 | 8" | 276 | 255 | 1.2 |

Customize Wafer Frames

We also provide custom designs and manufacturing services specially tailored to your specifications and needs.

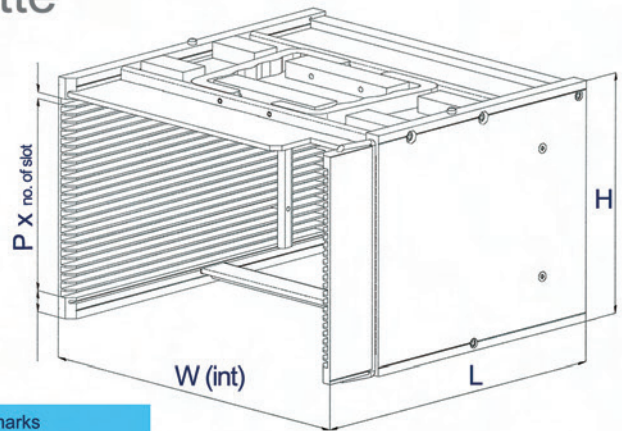


5 Inches Wafer Frame Cassette



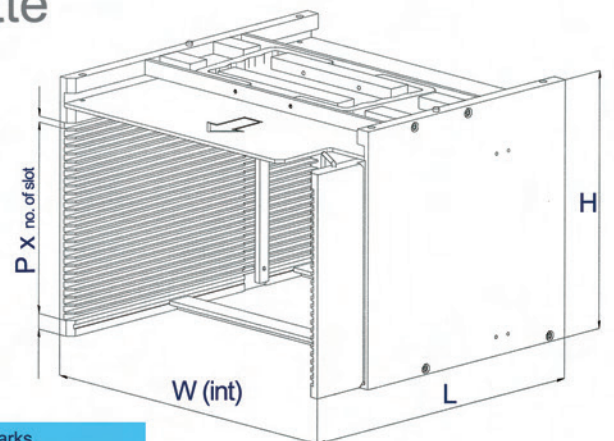
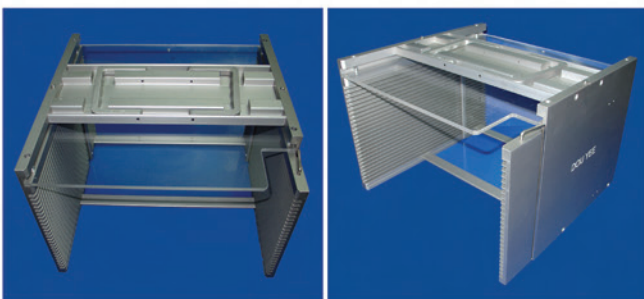
| Dou Yee P/N | L | W | H | P x no. of slot | Remarks |
|---------------------|-------|-------|--------|-----------------|--------------------|
| DY-WFC-010 | 191.6 | 186.1 | 155.27 | 4.75 x 24 slots | for 5" wafer frame |
| DY-WFC-010-12Levels | 191.6 | 186.1 | 155.27 | 9.50 x 11 slots | |

6 Inches Wafer Frame Cassette (Rotating Spring Stopper)



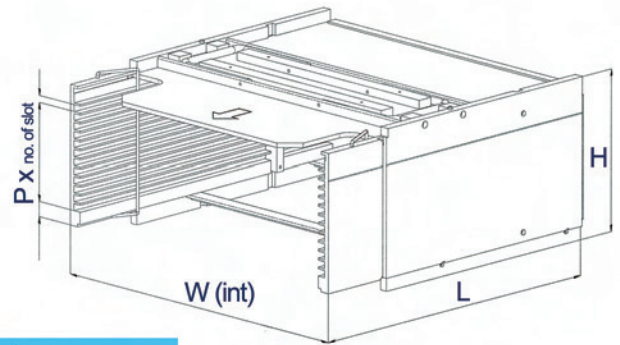
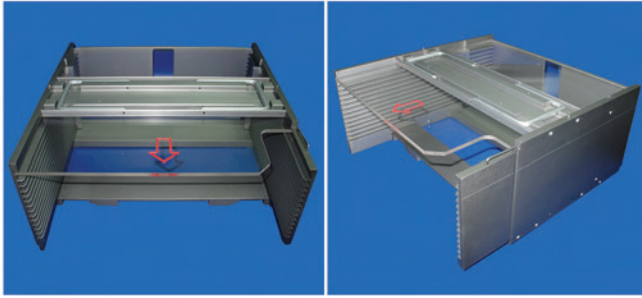
| Dou Yee P/N | L | W | H | P x no. of slot | Remarks |
|----------------|-------|-------|--------|-----------------|---------------------------------|
| DY-WFC-003 | 206 | 216 | 143 | 4.75 x 24 slots | for 6" wafer frame (DY-WFR-003) |
| DY-WFC-008M | 217 | 220.1 | 205.6 | 6.35 x 24 slots | for 6" wafer frame (DY-WFR-008) |
| DY-WFC-003-PER | 219.4 | 214 | 155.27 | 4.75 x 24 slots | for 6" wafer frame (DY-WFR-003) |

8 Inches Wafer Frame Cassette (Rotating Spring Stopper)



| Dou Yee P/N | L | W | H | P x no. of slot | Remarks |
|----------------------|--------|--------|--------|-----------------|----------------------------------|
| DY-WFC-001M | 276 | 279.2 | 205.6 | 6.35 x 24 slots | for 8" wafer frame (DY-WFR-001) |
| DY-WFC-001P | 283.48 | 277.92 | 155.25 | 4.75 x 24 slots | |
| DY-WFC-007B | 274.1 | 268.7 | 142.8 | 4.75 x 24 slots | for 8" wafer frame (DY-WFR-007B) |
| DY-WFC-007BM | 276 | 270.7 | 205.6 | 6.35 x 24 slots | for 8" wafer frame (DY-WFR-007B) |
| DY-WFC-001M-5Levels | 276 | 279.2 | 78.6 | 6.35 x 4 slots | for 8" wafer frame (DY-WFR-001) |
| DY-WFC-001M-13Levels | 276 | 279.2 | 130 | 6.35 x 12 slots | |
| DY-WFC-001-PER | 283.46 | 277.98 | 155.27 | 10 x 24 slots | |

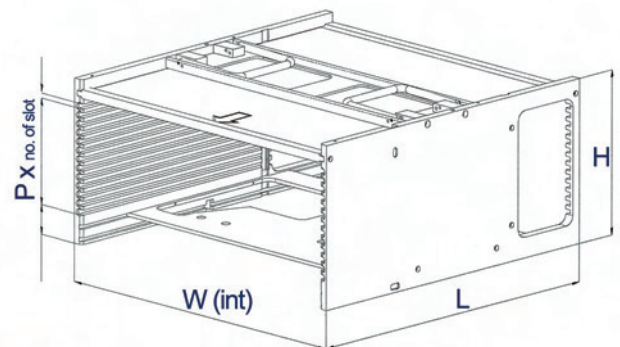
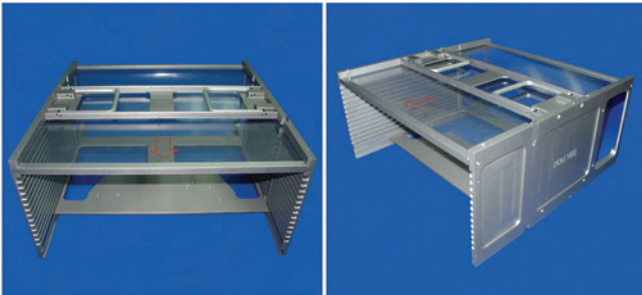
12 Inches Standard Wafer Frame Cassette



| Dou Yee P/N | L | W | H | P x no. of slot | Remarks |
|-------------|-------|-------|-----|-----------------|----------------------------------|
| DY-WFC-041 | 387.5 | 382.9 | 182 | 10 x 12 slots | for 12" wafer frame (DY-WFR-041) |

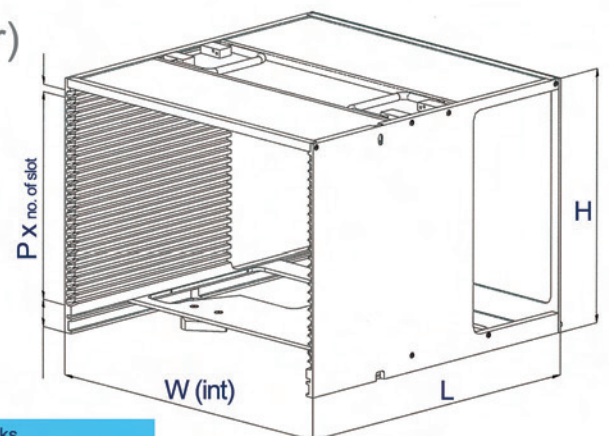
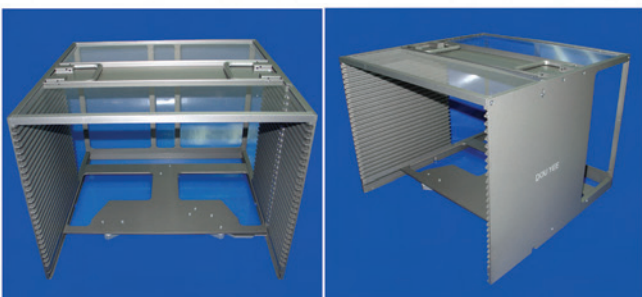
12 Inches Light Weight Wafer Frame Cassette

13 Level Type (Automatic Sliding Stopper)



| Dou Yee P/N | L | W | H | P x no. of slot | Remarks |
|-------------|-----|-----|-----|-----------------|----------------------------------|
| DY-WFC-043 | 389 | 383 | 187 | 10 x 12 slots | for 12" wafer frame (DY-WFR-041) |

25 Level Type (Automatic Sliding Stopper)



| Dou Yee P/N | L | W | H | P x no. of slot | Remarks |
|-------------|-----|-----|-----|-----------------|----------------------------------|
| DY-WFC-045 | 389 | 383 | 240 | 10 x 24 slots | for 12" wafer frame (DY-WFR-041) |

Our Network

We have 42 international branch offices strategically located around the world to give customers the fastest and most accessible products and services.

Our manufacturing plants, located in Singapore, Malaysia (Seremban), China (Suzhou) and France are governed by consistent quality systems with ISO 9001:2015 and ISO 14001:2015 certifications.



MORE THAN 42 OFFICES
ACROSS 23 COUNTRIES

Branch Offices

MALAYSIA

Johor Bahru

Tel: +607 556 6284 / 558 6285
Email: jhbsales1@douyee.com.my

Malacca

Tel: +606 231 5060/61/62/64
Email: mlcsales@douyee.com.my

Kuala Lumpur

Tel: +603 5121 1613 / 14
Email: dysales@douyee.com.my

Penang

Tel: +604 390 4824
Email: pngsales1@douyee.com.my

Ipoh

Tel: +605 2911853
Email: pngsales9@douyee.com.my

Sarawak

Tel : +082 262518
Email: dennis.ngu@douyee.com.my

PHILIPPINES

Manila

Tel: +632 807 4683 / 84 / 85
Email: easy.cunanan@douyee.com.ph

Cebu

Tel: +6332 340 7686, 341-1577
Email: phsales3@douyee.com.ph

INDONESIA

Jakarta

Tel: +6221 8990 1153
Email: ptdouyee@douyee.com.sg

Batam

Tel: +0117 7061 2490
Email: btmsales3@douyee.com.sg

VIETNAM

Ho Chi Min

Tel: +848 3910 4420
Email: vnmsales1@douyee.com.sg

Hanoi

Tel: +844 6275 4337
Email: vnmsales2@douyee.com.sg

THAILAND

Pathum Thani

Tel: +662 529 0979
Email: mkt.thailand@douyee.co.th

KOREA

Tel: (82) 10 26984161
E-mail: leeys@douyee.com.sg

CHINA

Shanghai

Tel: +86-21-5899 4619
Email: dysh@douyee.com.cn

Suzhou

Tel: +86-512-6258 5066
Email: sunzz@douyee.com.cn

Beijing

Tel: +86-10-8368 6931
Email: dybj@douyee.com.cn

Dalian

Tel : +86-411-8377 9193
Email: dydl@douyee.com.cn

Chengdu

Tel: +86-28-8501 7691
Email: dycd@douyee.com.cn

Shenzhen

Tel: +86-755-8389 0255
Email: dysz@douyee.com.hk

Xi' An

Tel: +86-29-8824 7085
Email: dyxa@douyee.com.cn

Nanjing

Tel: +86-25-5882 6689
Email: sales@douyee.com.tw

Xiamen

Tel: +86 180-20737052
Email: mike.chen@douyee.com.tw

TAIWAN

Taipei

Tel: +886-2-27151156
Email: deamer.wu@douyee.com.tw

HsinChu

Tel: +886-3-5670698
Email: deamer.wu@douyee.com.tw

HONG KONG

Tel: +852-2480 6337
Email: dyhk@douyee.com.hk

JAPAN

Yokohama

Tel: +8145 312 9906
Email: mktg@douyee.co.jp

UNITED STATES

Truckee

Tel: (530) 320 1313
Email: don.boehm@douyee.com

Murphys

Tel: 209-822-0121
Email: rj.sturgeon@douyee.com

FRANCE

Tournefeuille

Tel: +33 561 16 2050
Email: info.fr@douyee.fr

Pont de Poitte

Tel: +33 3 84 87 02 39
Email: info.fr@eurostatgroup.com

SWEDEN - NORDICS

Tel: +46 (0) 10 690 06 20
Email: info.se@eurostatgroup.com

NETHERLANDS - BENELUX

Tel: +31 (0) 886 363 555
Email: info.nl@eurostatgroup.com

UNITED KINGDOM

England

Tel: +44 (0) 139 235 7548
Email: info.uk@eurostatgroup.com

CZECH REPUBLIC

Tel: +420 724 317 455
Email: info.cz@eurostatgroup.com

SLOVAKIA

Tel: +421 908 581 747
Email: info.sk@eurostatgroup.com

HUNGARY & ROMANIA

Tel: +36 70 609 4216
Email: info.hu@eurostatgroup.com

POLAND

Tel: + 48 71 750 04 80
Email: info.pl@eurostatgroup.com

NORWAY

Tel: + 47 93829207
Email : info.no@eurostatgroup.com

LATVIA

Tel: +371 200 188 37
Email: info.baltic@eurostatgroup.com

AUSTRIA

Tel: +43 6601414926
Email: info.ch@eurostatgroup.com

Dou Yee Enterprises

2304 Bedok Reservoir Road,
Bedok Industrial Park C, Singapore 479223

Tel: +65 6444 2678 | Fax: +65 6743 7172 | Email: s1_marketing@douyee.com.sg | Web: www.douyee.com